

CE: (Europe) 220-240V - 50/60Hz	SKU: 01024390	EAN: 737859243905
UK: (United Kingdom) 220-240V - 50/60Hz	SKU: 01024390	EAN: 737859243905
US: (United States and Canada) 110-120V - 50/60Hz	SKU: 01024390	EAN: 737859243905
JP: (Japan) 110-120V - 50/60Hz	SKU: 01024390	EAN: 737859243905
CCC: (China) 220-240V - 50/60Hz	SKU: 01024390	EAN: 737859243905



GENERAL



LED



IP20

Product name:	Lámpara inalámbrica Cascade
Collection:	CASCADE
Mounting:	Table lamp with battery
Finish:	Blackened Brass
IP:	20
Use:	Indoor
Environment:	Cascade is a lighting collection created in collaboration with renowned British designer Lee Broom, who brings a fresh perspective to porcelain lighting. His concept merges porcelain craftsmanship with a contemporary vision. Inspired by paper lanterns—one of the oldest and most enduring lighting designs—Cascade celebrates the cultural and material roots of these iconic creations.
Installation and assembly:	Follow instructions of the installation guide
Care:	The luminaires require only a light dusting with a soft or microfiber cloth. Dust and polish the bulbs with that soft cloth before dusting the luminaire itself. Clean the porcelain parts in warm, soapy water. For non-porcelain components use only dry soft cloth. Do not use chemicals.



ELECTRICAL CHARACTERISTICS

Max. Power:	1 x (0W)			
Certifications and Marks:	CE (), UKCA (), ETL (), NOM (), PSE (), CCC ()			
Lampholder/LED:	LED - Integrated Led			
CE:	1 x (0W) integrated LED	220 - 240 V	50/60 Hz	USB C - USB A
UK:	1 x (0W) integrated LED	220 - 240 V	50/60 Hz	USB C - USB A
US:	1 x (0W) integrated LED	100 - 125 V	50/60 Hz	USB C - USB A
JP:	1 x (0W) integrated LED	100 - 125 V	50/60 Hz	USB C - USB A
CCC:	1 x (0W) integrated LED	220 - 240 V	50/60 Hz	USB C - USB A
Bulb Limitations:	NA			
Class:	III			
Regulation mode:	Touch dimmer			
Regulation included:	Dimmer included			
USB Charge:	Si			
LED characteristics (LED only):				
Energy efficiency (LED only):	G			
Risk group (LED only):	GR1			
Others:	BATTERY: Lithium polymer; 5000mAh; 7h autonomy; Charging method: Micro USB-5V; 400-500 charge cycles. *Power adaptor not included			

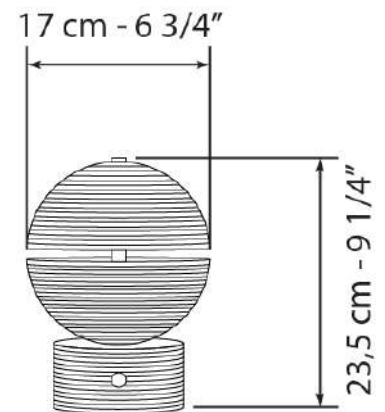
CE: (Europe) 220-240V - 50/60Hz	SKU: 01024390	EAN: 737859243905
UK: (United Kingdom) 220-240V - 50/60Hz	SKU: 01024390	EAN: 737859243905
US: (United States and Canada) 110-120V - 50/60Hz	SKU: 01024390	EAN: 737859243905
JP: (Japan) 110-120V - 50/60Hz	SKU: 01024390	EAN: 737859243905
CCC: (China) 220-240V - 50/60Hz	SKU: 01024390	EAN: 737859243905

Product name:	Lámpara inalámbrica Cascade
---------------	------------------------------------



PHYSICAL CHARACTERISTICS

General measures (cm):	23,5 x 17 x 17 cm (Height x Length x Width)
General measures (inch):	9 1/4 x 6 3/4 x 6 3/4" (Height x Length x Width)
Max. Height:	23,5 cm - 9 1/4"
Min. Height:	23,5 cm - 9 1/4"
Standard Height:	23,5 cm - 9 1/4"
Cable / Chain Length:	100 cm - 39,37"
Color cable:	White (CE), White (UK), White (US), White (JP), White (CCC)
Net weight:	1,35 kg - 2,98 lb
Materials:	Porcelain, metal, methacrylate
Support method:	Base
Support measures:	Ø12 x 5,3 cm - "
Support material:	Porcelain
Support color:	White
Accessory type:	-
Accessory measures:	-
Accessory material:	-
Accessory color:	-



PACKAGING CHARACTERISTICS

Quantity boxes:	1
Measure box:	(1) 35 x 24 x 20,5 cm - 13,77 x 9,44 x 8,07" (2) cm - "
Volume box:	(1) 17220 m ³ - 0,6 ft ³ (2) cm ³ - ft ³
Weight box:	(1) kg - lb (2) kg - lb
Total Weight:	kg - lb