

<b>CE:</b> (Europe) 220-240V - 50/60Hz	SKU: <b>01024142</b>	EAN: 737859241420
<b>UK:</b> (United Kingdom) 220-240V - 50/60Hz	SKU: <b>01024142</b>	EAN: 737859241420
<b>US:</b> (United States and Canada) 110-120V - 50/60Hz	SKU: <b>01024137</b>	EAN: 737859241376
<b>JP:</b> (Japan) 110-120V - 50/60Hz	SKU: <b>01024144</b>	EAN: 737859241444
<b>CCC:</b> (China) 220-240V - 50/60Hz	SKU: <b>01024334</b>	EAN: -



### GENERAL



IP20

Product name:	<b>Firefly wall light by Olga Hanono</b>
Collection:	FIREFLY
Mounting:	Wall lamp
Finish:	Olga Hanono
IP:	20
Use:	Indoor
Environment:	Olga Hanono, a Mexican interior designer recognized on the international art and architecture scene, uses her bold and disruptive style to bring her stamp of identity to Lladró's existing Firefly collection.
Installation and assembly:	Follow instructions of the installation guide
Care:	The luminaires require only a light dusting with a soft or microfiber cloth. Dust and polish the bulbs with that soft cloth before dusting the luminaire itself. Clean the porcelain parts in warm, soapy water. For non-porcelain components use only dry soft cloth. Do not use chemicals.



### ELECTRICAL CHARACTERISTICS



Max. Power:	1 x 9W LED (9W)			
Certifications and Marks:	CE (Yes), UKCA (Yes), UL (Yes), NOM (Yes), PSE (Yes), CCC (No)			
Lampholder/LED:	Lampholder - Bulb not included			
<b>CE:</b>	E14	1 x E14 Max. 9W LED	220/240 VAC	50/60 Hz
<b>UK:</b>	E14	1 x E14 Max. 9W LED	220/240 VAC	50/60 Hz
<b>US:</b>	E12	1 x E12 Max. 9W LED	100/125 VAC	50/60 Hz
<b>JP:</b>	E17	1 x E17 Max. 9W LED	100/125 VAC	50/60 Hz
<b>CCC:</b>	E14	1 x E14 Max. 9W LED	220/240 VAC	50/60 Hz
Bulb Limitations:	Max Ø45 x 80 - Ø1 3/4 x 3 1/4"			
Class:	I			
Regulation mode:	-			
Regulation included:	Dimmer not included			
USB Charge:	-			
LED characteristics (LED only):	-			
Energy efficiency (LED only):	-			
Risk group (LED only):	-			
Others:	-			

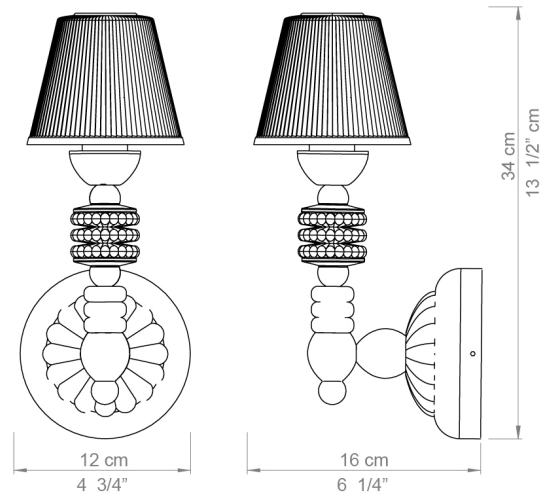
<b>CE:</b> (Europe) 220-240V - 50/60Hz	SKU: <b>01024142</b>	EAN: 737859241420
<b>UK:</b> (United Kingdom) 220-240V - 50/60Hz	SKU: <b>01024142</b>	EAN: 737859241420
<b>US:</b> (United States and Canada) 110-120V - 50/60Hz	SKU: <b>01024137</b>	EAN: 737859241376
<b>JP:</b> (Japan) 110-120V - 50/60Hz	SKU: <b>01024144</b>	EAN: 737859241444
<b>CCC:</b> (China) 220-240V - 50/60Hz	SKU: <b>01024334</b>	EAN: -

Product name: **Firefly wall light by Olga Hanono**



### PHYSICAL CHARACTERISTICS

General measures (cm):	34 x 12 x 16 cm (Height x Length x Width)
General measures (inch):	13 1/2 x 4 3/4 x 6 1/4" (Height x Length x Width)
Max. Height:	34 cm - 13 1/2"
Min. Height:	34 cm - 13 1/2"
Standard Height:	34 cm - 13 1/2"
Cable / Chain Length:	cm - 0"
Color cable:	(CE), (UK), (US), (JP), (CCC)
Net weight:	1,00 kg - 2,21 lb
Materials:	Porcelain, metal
Support method:	Base
Support measures:	Ø12 x 3 cm - Ø4 3/4 x 1 1/4"
Support material:	Metal
Support color:	Black
Accessory type:	Lampshade
Accessory measures:	Ø12 x 10 cm - Ø4 3/4 x 4"
Accessory material:	Porcelain
Accessory color:	White Pleated



### PACKAGING CHARACTERISTICS

Quantity boxes:	1
Measure box:	(1) 0,18 x 0,25 x 0,42 m - 7 x 9 3/4 x 16 3/4"
Volume box:	(1) 0,02 m³ - 0,67 ft³
Weight box:	(1) 1,75 kg - 3,86 lb
Total Weight:	1,75 kg - 3,86 lb