

# Technical data sheet

**CE:** Ref 01023217 - UPC/EAN 737859232176  
**UK:** Ref 01023217 - UPC/EAN 737859232176  
**US:** Ref 01023218 - UPC/EAN 737859232176  
**JP:** Ref 01023219 - UPC/EAN 737859232176

**Description:**

**Belle de Nuit - Wall 2 lights - black**  
**Belle de Nuit - Aplique pared 2 luces - negro**

**Collection:**  
**Mounting:**

**BELLE DE NUIT**  
 Wall light

**Environment:**

Wall lamp made of porcelain with decorative back mirror to enhance light effect. Made in different finishes to match all decorative ambiances. Easy to fit for a fast installation. Bespoke measures available under request.

**Installation and assembly:**

Follow instructions of the installation guide

**Electrical characteristics:**

**Max. Power:** 2 X 9W (18W)  
**Tension:** CE-UK: 220/240VAC US-JP: 100/125VAC  
**Frequency:** 50/60Hz  
 Dimmer not included / LED bulb non dimmable

**Bulb**

Bulb not included **Bulb reference** 01089407  
**CE:** 2 x E14 Led 4W 220V (105Lm/W)  
**US:** 2 x E12 Led 4W 110V (105Lm/W)

**Physical characteristics:**

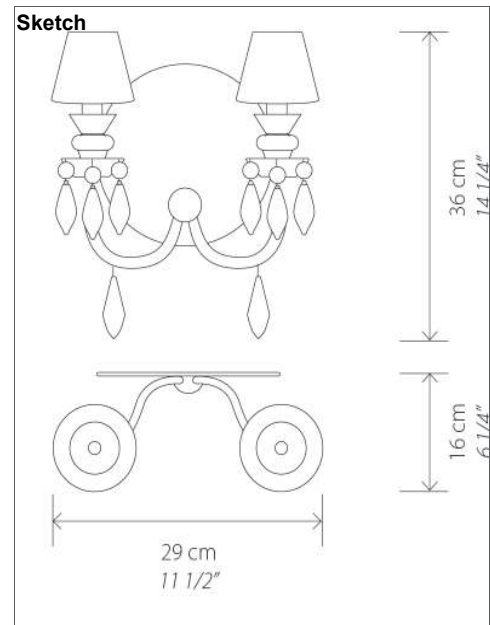
1 Box / 4,911 x 100 x 100 cm / 0,049 m3  
 1 Box / 2 x 39 1/4 x 39 1/4 inches / 3081 in3  
 Gross weight 3,1 kg. / Net weight 1,8 kg.



**LIADRÓ** BdN - W.lamp

Esta luminaria es compatible con bombillas de clases energéticas:

874/2012



# Technical data sheet

**CE:** Ref 01023257 - UPC/EAN 737859232572  
**UK:** Ref 01023257 - UPC/EAN 737859232572  
**US:** Ref 01023258 - UPC/EAN 737859232572  
**JP:** Ref 01023259 - UPC/EAN 737859232572

**Description:** Belle de Nuit - Wall 2 lights - blue  
 Belle de Nuit - Aplique pared 2 luces - azul

**Collection:** BELLE DE NUIT

**Mounting:** Wall light

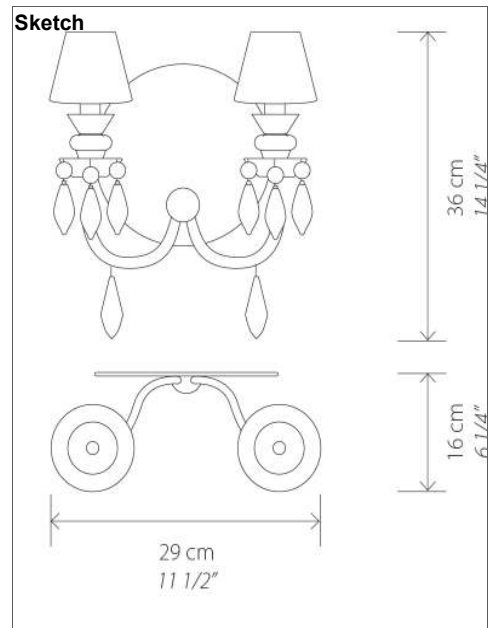
**Environment:** Wall lamp made of porcelain with decorative back mirror to enhance light effect. Made in different finishes to match all decorative ambiances. Easy to fit for a fast installation. Bespoke measures available under request.

**Installation and assembly:** Follow instructions of the installation guide

**Electrical characteristics:**  
**Max. Power:** 2 X 9W (18W)  
**Tension:** CE-UK: 220/240VAC US-JP: 100/125VAC  
**Frequency:** 50/60Hz  
 Dimmer not included / LED bulb non dimmable

**Bulb**  
 Bulb not included **Bulb reference** 1089407  
**CE:** 2 x E14 Led 4W 220V (105Lm/W)  
**US:** 2 x E12 Led 4W 110V (105Lm/W)

**Physical characteristics:**  
 1 Box / 26,2 x 40,8 x 41,3 cm / 0,044 m3  
 1 Box / 10 1/4 x 16 x 16 1/4 inches / 2665 in3  
 Gross weight 3,1 kg. / Net weight 1,8 kg.



# Technical data sheet

**CE:** Ref 01023317 - UPC/EAN 737859233173  
**UK:** Ref 01023317 - UPC/EAN 737859233173  
**US:** Ref 01023318 - UPC/EAN 737859233173  
**JP:** Ref 01023319 - UPC/EAN 737859233173

**Description:**

**Belle de Nuit - Wall 2 lights - gold**  
**Belle de Nuit - Aplique pared 2 luces - oro**

**Collection:**

**BELLE DE NUIT**

**Mounting:**

Wall light

**Environment:**

Wall lamp made of porcelain with decorative back mirror to enhance light effect. Made in different finishes to match all decorative ambiances. Easy to fit for a fast installation. Bespoke measures available under request.

**Installation and assembly:**

Follow instructions of the installation guide

**Electrical characteristics:**

**Max. Power:** 2 X 9W (18W)  
**Tension:** CE-UK: 220/240VAC US-JP: 100/125VAC  
**Frequency:** 50/60Hz  
 Dimmer not included / LED bulb non dimmable

**Bulb**

Bulb not included **Bulb reference** 1089407  
**CE:** 2 x E14 Led 4W 220V (105Lm/W)  
**US:** 2 x E12 Led 4W 110V (105Lm/W)

**Physical characteristics:**

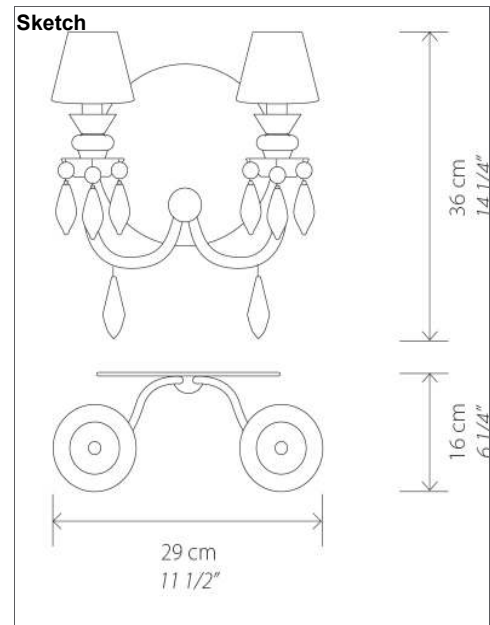
1 Box / 26,2 x 40,8 x 41,3 cm / 0,044 m3  
 1 Box / 10 1/4 x 16 x 16 1/4 inches / 2665 in3  
 Gross weight 3,1 kg. / Net weight 1,8 kg.



**LIADRÓ** BdN - W.lamp

Esta luminaria es compatible con bombillas de clases energéticas:

874/2012



# Technical data sheet

**CE:** Ref 01023237 - UPC/EAN 737859232374  
**UK:** Ref 01023237 - UPC/EAN 737859232374  
**US:** Ref 01023238 - UPC/EAN 737859232374  
**JP:** Ref 01023239 - UPC/EAN 737859232374

**Description:**

**Belle de Nuit - Wall lamp with 2 lights - green**  
**Belle de Nuit - Aplique de pared con 2 luces - verde**

**Collection:**

**BELLE DE NUIT**

**Mounting:**

Wall light

**Environment:**

Wall lamp made of porcelain with decorative back mirror to enhance light effect. Made in different finishes to match all decorative ambiances. Easy to fit for a fast installation. Bespoke measures available under request.

**Installation and assembly:**

Follow instructions of the installation guide

**Electrical characteristics:**

**Max. Power:** 2 X 9W (18W)  
**Tension:** CE-UK: 220/240VAC US-JP: 100/125VAC  
**Frequency:** 50/60Hz  
 Dimmer not included / LED bulb non dimmable

**Bulb**

Bulb not included **Bulb reference** 1089407  
**CE:** 2 x E14 Led 4W 220V (105Lm/W)  
**US:** 2 x E12 Led 4W 110V (105Lm/W)

**Physical characteristics:**

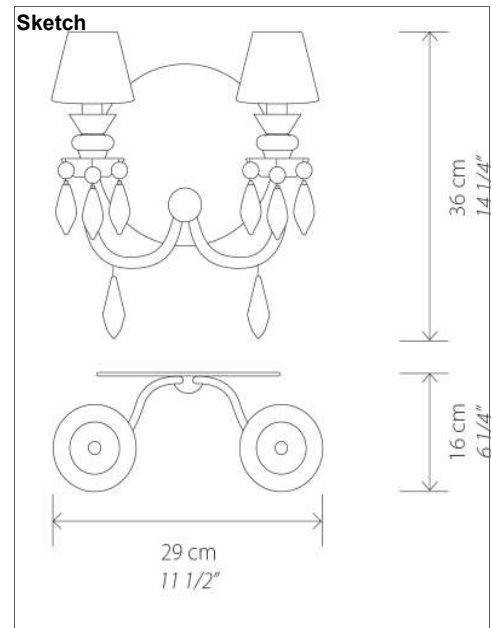
1 Box / 26,2 x 40,8 x 41,3 cm / 0,044 m3  
 1 Box / 10 1/4 x 16 x 16 1/4 inches / 2665 in3  
 Gross weight 3,1 kg. / Net weight 1,8 kg.



**LIADRÓ** BdN - W.lamp

Esta luminaria es compatible con bombillas de clases energéticas:

874/2012



# Technical data sheet

**CE:** Ref 01023297 - UPC/EAN 737859232978  
**UK:** Ref 01023297 - UPC/EAN 737859232978  
**US:** Ref 01023298 - UPC/EAN 737859232978  
**JP:** Ref 01023299 - UPC/EAN 737859232978

**Description:**

**Belle de Nuit - Wall 2 lights - multicolor**  
**Belle de Nuit - Aplique pared 2 luces - multicolor**

**Collection:**

**BELLE DE NUIT**

**Mounting:**

Wall light

**Environment:**

Wall lamp made of porcelain with decorative back mirror to enhance light effect. Made in different finishes to match all decorative ambiances. Easy to fit for a fast installation. Bespoke measures available under request.

**Installation and assembly:**

Follow instructions of the installation guide

**Electrical characteristics:**

**Max. Power:** 2 X 9W (18W)  
**Tension:** CE-UK: 220/240VAC US-JP: 100/125VAC  
**Frequency:** 50/60Hz  
 Dimmer not included / LED bulb non dimmable

**Bulb**

Bulb not included **Bulb reference** 1089407  
**CE:** 2 x E14 Led 4W 220V (105Lm/W)  
**US:** 2 x E12 Led 4W 110V (105Lm/W)

**Physical characteristics:**

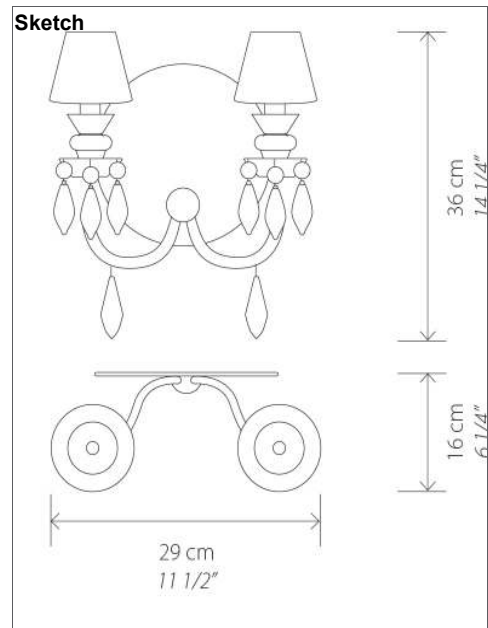
1 Box / 26,2 x 40,8 x 41,3 cm / 0,044 m3  
 1 Box / 10 1/4 x 16 x 16 1/4 inches / 2665 in3  
 Gross weight 3,1 kg. / Net weight 1,8 kg.



**LIADRÓ** BdN - W.lamp

Esta luminaria es compatible con bombillas de clases energéticas:

874/2012



# Technical data sheet

**CE:** Ref 01023277 - UPC/EAN 737859232770  
**UK:** Ref 01023277 - UPC/EAN 737859232770  
**US:** Ref 01023278 - UPC/EAN 737859232770  
**JP:** Ref 01023279 - UPC/EAN 737859232770

**Description:**

**Belle de Nuit - Wall 2 lights - pink**  
**Belle de Nuit - Aplique pared 2 luces - rosa**

**Collection:**

**BELLE DE NUIT**

**Mounting:**

Wall light

**Environment:**

Wall lamp made of porcelain with decorative back mirror to enhance light effect. Made in different finishes to match all decorative ambiances. Easy to fit for a fast installation. Bespoke measures available under request.

**Installation and assembly:**

Follow instructions of the installation guide

**Electrical characteristics:**

**Max. Power:** 2 X 9W (18W)  
**Tension:** CE-UK: 220/240VAC US-JP: 100/125VAC  
**Frequency:** 50/60Hz  
 Dimmer not included / LED bulb non dimmable

**Bulb**

Bulb not included **Bulb reference** 1089407  
**CE:** 2 x E14 Led 4W 220V (105Lm/W)  
**US:** 2 x E12 Led 4W 110V (105Lm/W)

**Physical characteristics:**

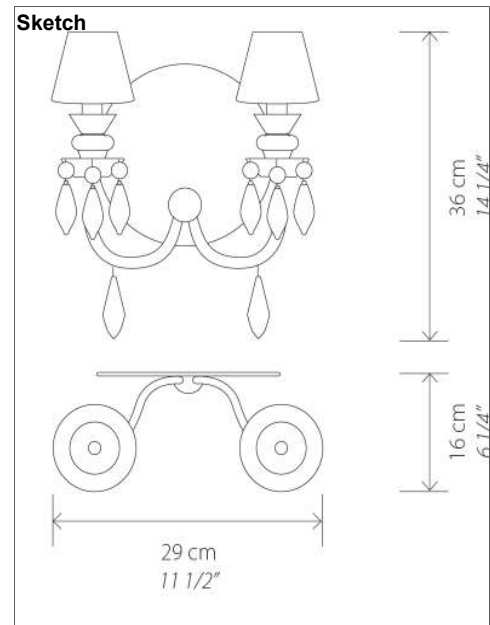
1 Box / 26,2 x 40,8 x 41,3 cm / 0,044 m3  
 1 Box / 10 1/4 x 16 x 16 1/4 inches / 2665 in3  
 Gross weight 3,1 kg. / Net weight 1,8 kg.



**LIADRÓ** BdN - W.lamp

Esta luminaria es compatible con bombillas de clases energéticas:

874/2012



# Technical data sheet

**CE:** Ref 01023197 - UPC/EAN 737859231971  
**UK:** Ref 01023197 - UPC/EAN 737859231971  
**US:** Ref 01023198 - UPC/EAN 737859231971  
**JP:** Ref 01023199 - UPC/EAN 737859231971

**Description:**

**Belle de Nuit - Wall 2 lights - white**  
**Belle de Nuit - Aplique pared 2 luces - blanco**

**Collection:**

**BELLE DE NUIT**

**Mounting:**

Wall light

**Environment:**

Wall lamp made of porcelain with decorative back mirror to enhance light effect. Made in different finishes to match all decorative ambiances. Easy to fit for a fast installation. Bespoke measures available under request.

**Installation and assembly:**

Follow instructions of the installation guide

**Electrical characteristics:**

**Max. Power:** 2 x 9W (18W)  
**Tension:** CE-UK: 220/240VAC US-JP: 100/125VAC  
**Frequency:** 50/60Hz  
 Dimmer not included / LED bulb non dimmable

**Bulb**

Bulb not included **Bulb reference** 01089407  
**CE:** 2 x E14 Led 4W 220V (105Lm/W)  
**US:** 2 x E12 Led 4W 110V (105Lm/W)

**Physical characteristics:**

1 Box / 26,2 x 40,8 x 41,3 cm / 0,044 m3  
 1 Box / 10 1/4 x 16 x 16 1/4 inches / 2665 in3  
 Gross weight 3,1 kg. / Net weight 1,8 kg.



**LIADRÓ** BdN - W.lamp

Esta luminaria es compatible con bombillas de clases energéticas:

874/2012

